

## Warm Up: Geometry

1/10

The sides of a triangle are 4, 8 and 10. Find the length of the shortest side of a similar triangle whose longest side is 15.

Feb 27-7:39 AM

W.A.L.T.:

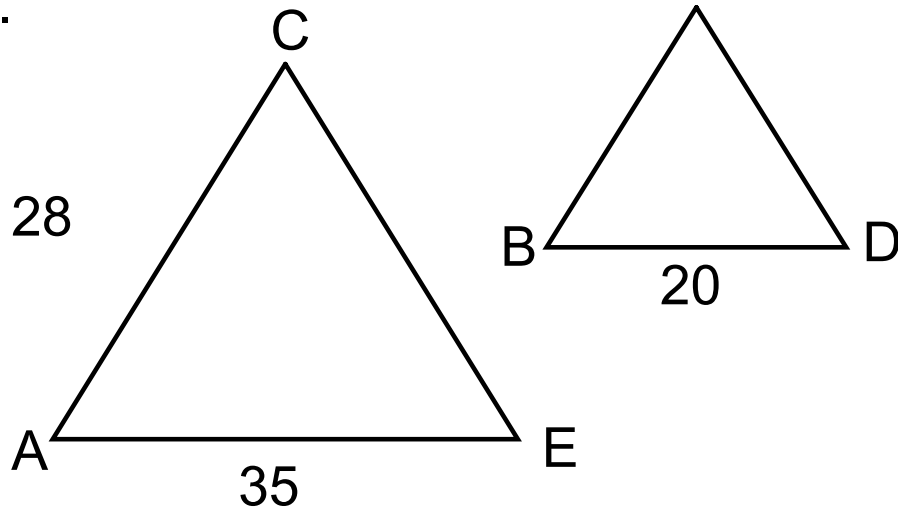
Determine if two figures are similar or not.

W.A.S.I.:

We can find scale factor OR set up proportions to solve for a missing side length between similar figures.

Mar 7-9:45 AM

Find CB.

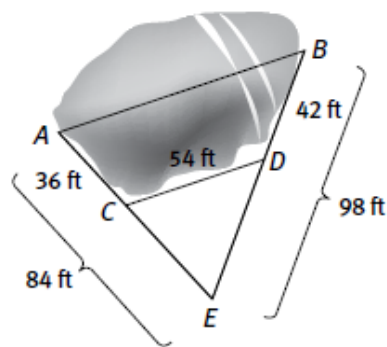


Jan 17-8:31 AM

**In Class Work:**

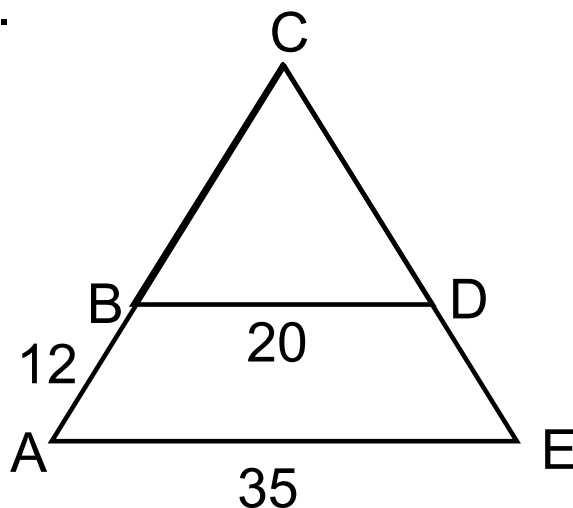
**Example A**

Clarissa needs to find the width of a rock formation in the national park. She locates points  $A$ ,  $B$ ,  $C$ ,  $D$ , and  $E$  and takes the measurements shown. Find the width of the rock formation,  $AB$ .



Mar 7-1:33 PM

Find CB.



Jan 17-8:31 AM

Today's Activities:

- Notes, In Class example

P.W. for tonight:

- pg. 267 #6,9,10; pg. 268 #11; pg.270 #16

Day 4

Dec 31-9:59 PM